

6

5

4

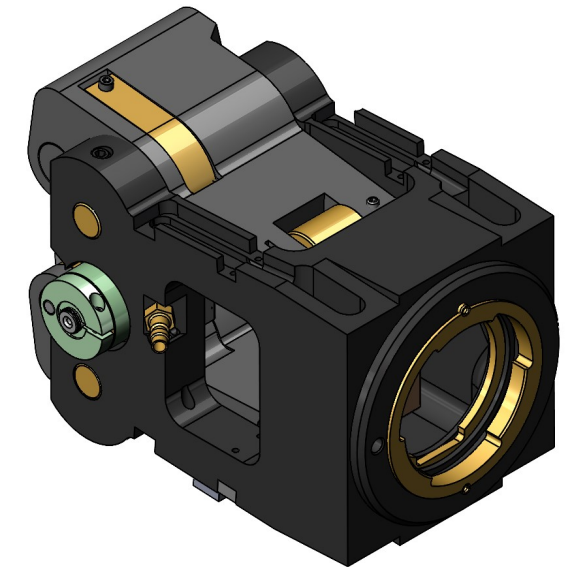
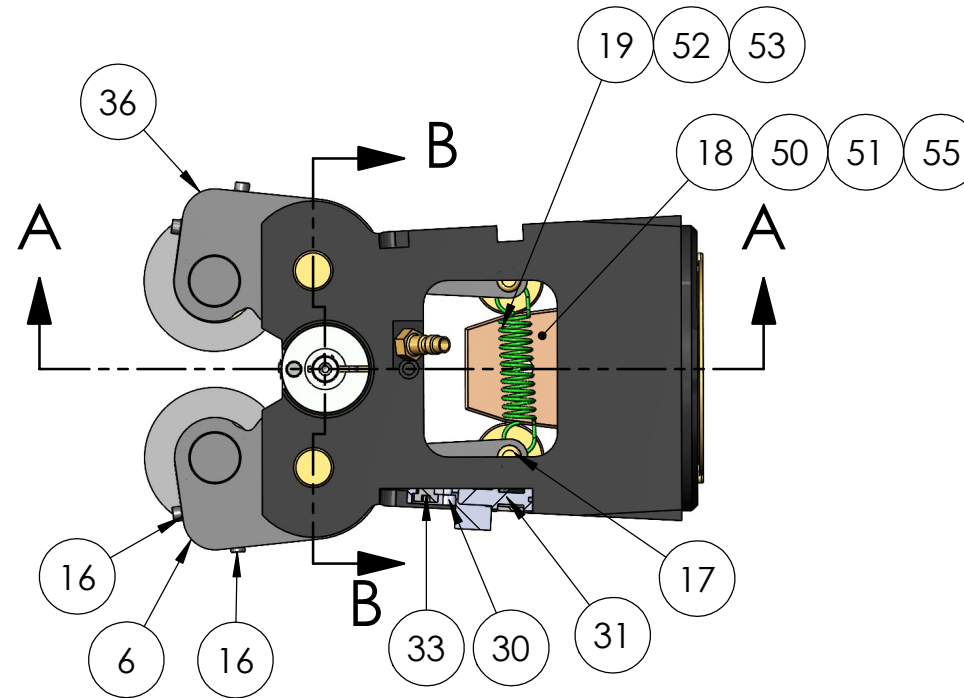
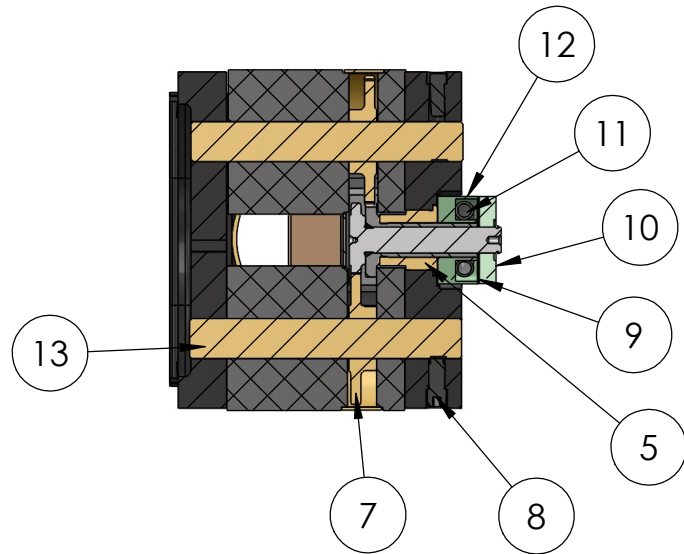
3

2

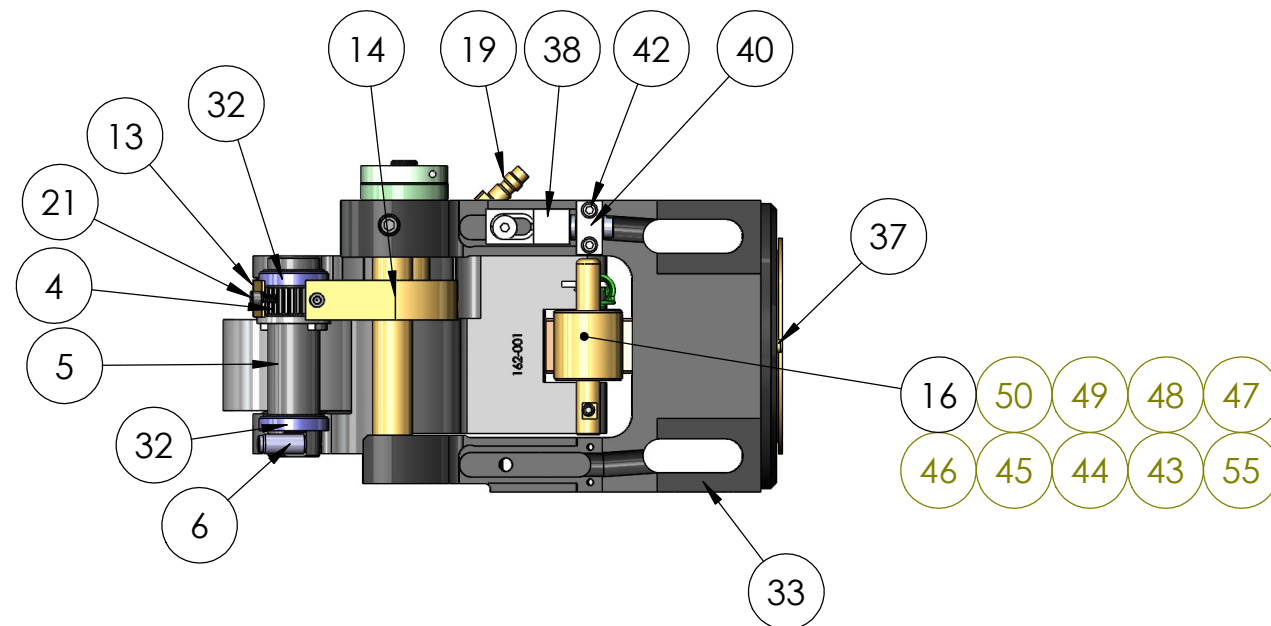
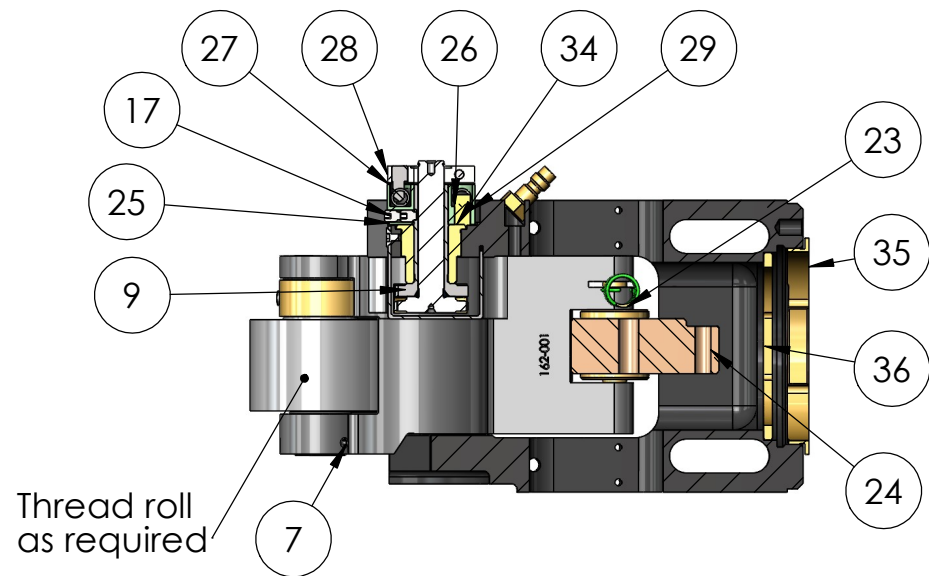
1

REV	ZONE	ECN	REVISION DESCRIPTION	DATE	ENG
F	Redrawn in Solidworks	2/22	NA

SECTION B-B



SECTION A-A



View shown without L.H. roll arm

THIS DRAWING IS THE CONFIDENTIAL AND EXCLUSIVE PROPERTY OF C.J. WINTER MACHINE TECHNOLOGIES, INC. AND MAY NOT BE COPIED, REPRODUCED, OR DISCLOSED IN ANY WAY, WHATSOEVER TO ANYONE WITHOUT THE EXPRESS WRITTEN PERMISSION OF C.J. WINTER MACHINE TECHNOLOGIES, INC. UNLAWFUL DISCLOSURE MAY RESULT IN PROSECUTION © 2004 C.J. WINTER MACHINE TECHNOLOGIES, INC.

UNLESS OTHERWISE SPECIFIED: DRAWING MUST COMPLY TO C. J. WINTER ENGINEERING STANDARD E1058 & ASME Y14.5M 1994. UNTOLERANCED DIMENSIONS ARE BASIC
 .020 A B C SW

DRAWN BY: N. Alborno
 DWG DATE: 2/14/22
 ENG. APPR: P. Allart
 APPR DATE: 2/14/22
 MATERIAL:
 HEAT TRT:



C. J. WINTER
 MACHINE TECHNOLOGIES, INC.

DWG SIZE SCALE: 1:3
B
 Sheet1

162914: Bracket Assembly

DRAWING NO. 163SA2

6

5

4

3

2

1

6				5				4				3				2				1			
ITEM NO.	PART NO.	DESCRIPTION	QTY.	ITEM NO.	PART NO.	DESCRIPTION	QTY.	ITEM NO.	PART NO.	DESCRIPTION	QTY.	ITEM NO.	PART NO.	DESCRIPTION	QTY.	ITEM NO.	PART NO.	DESCRIPTION	QTY.				
1	160136QR	Quick Release Roll Arm Bracket (SA2)	1	30	160132	Adjustable Key	1																
2	160417	Quick Release Washer	1	31	160133	Adjusting Screw	1																
3	160416	Quick Release Adapter	1	32	160134	Adjusting Screw Retainer	1																
4	838-19	Pin: Spring, .188 Dia x .500	2	33	160135	Screw: LHCS, 1/4-28 x .500	1																
5	160048	Compensator Bushing	1	34	125174	Screw: SHCS, #6-32 x .375	2																
6	162002	L.H. Roll Arm	1	35	160007	Wedge Roller (1.075 Dia)	2																
7	160005	Idler Gear	2	36	162001	R.H. Roll Arm	1																
8	160103	Screw: SSS, 5/16-18 x .750 Half Dog Pt.	2	37	162020	Roll Gear	2																
9	160102	Cover Plate	1	38	162007	Carbide Roll Pin	2																
10	160092	Adjusting Collar	1	39	162003	Adjusting Screw	2																
11	160051	Compensator Spring	2	40	162008	Screw: SSS, #10-32 x .375 Half dog Pt.	2																
12	160050	Spring Retainer	1	41	162004	Thrust Bearing	4																
13	160145	Fulcrum Pin (New Style)	2	42	160406	Wedge Roller (1.156 Dia.)	2																
14	160046	Idler Gear Guard	2	43	160405	Wedge Roller (.938 dia.)	2																
15	160045	Roll Gear Guard	2	44	160403	Wedge Roller (.813 dia.)	2																
16	140207	Screw: SHCS, #6-32 x .250	4	45	160402	Wedge Roller (.688 Dia.)	2																
17	160091	Wedge Roller Pin	2	46	160029	Wedge Roller (1.312 Dia)	2																
18	160032	Wedge, Large	1	47	160028	Wedge Roller (1.000 Dia)	2																
19	160035	Roll Arm Spring, Green	1	48	160027	Wedge Roller (.875 Dia)	2																
20	160054	Screw: SSS, #10-32 x .250 Half Dog Pt	4	49	160026	Wedge Roller (.750 Dia)	2																
21	160052	Adjusting Collar Pin	1	50	160031	Wedge, Medium	1																
22	160108	Retainer Ring, Bowed: .394 Dia	1	51	160033	Wedge, Ex-Large	1																
23	141379	Screw: SHCS, #6-32 x .500	1	52	160034	Roll Arm Spring, Red	1																
24	160053	Pin: Dowel, .250 Dia. x .500	1	53	160130	Roll Arm Spring, Yellow	1																
25	125070	Quick Disconnect Plug	1	54	160025	Wedge Roller (.625 Dia)	2																
26	160093	Internal Gear	1	55	160030	Wedge, Narrow	1																
27	160004	External Gear	1																				
28	160085	Center Gear Guard	1																				
29	160086	Screw: FHSS, #6-32 x .188	1																				

REV	ZONE	ECN	REVISION DESCRIPTION	DATE	ENG
F	Redrawn in Solidworks	2/22	NA

163SA2
Components
162914: Bracket Assembly- shown here
163910QR: Power Pack Assembly- not shown
141600: Control Valve Assembly-not shown
Serial No. Range
163018-Current

THIS DRAWING IS THE CONFIDENTIAL AND EXCLUSIVE PROPERTY OF C.J. WINTER MACHINE TECHNOLOGIES, INC. AND MAY NOT BE COPIED, REPRODUCED, OR DISCLOSED IN ANY WAY, WHATSOEVER TO ANYONE WITHOUT THE EXPRESS WRITTEN PERMISSION OF C.J. WINTER MACHINE TECHNOLOGIES, INC UNLAWFUL DISCLOSURE MAY RESULT IN PROSECUTION
 © 2004 C.J. WINTER MACHINE TECHNOLOGIES, INC.

UNLESS OTHERWISE SPECIFIED: DRAWING MUST COMPLY TO C. J. WINTER ENGINEERING STANDARD E1058 & ASME Y14.5M 1994. UNTOLERANCED DIMENSIONS ARE BASIC

DRAWN BY: N. Albornoz
 DWG DATE: 2/14/22
 ENG. APPR: P. Allart
 APPR DATE: 2/14/22
 MATERIAL:
 HEAT TRT:



162914: Bracket Assembly

DWG SIZE: SCALE: 1:3
B
 BOM
 DRAWING NO.
163SA2

D

D

C

C

B

B

A

A