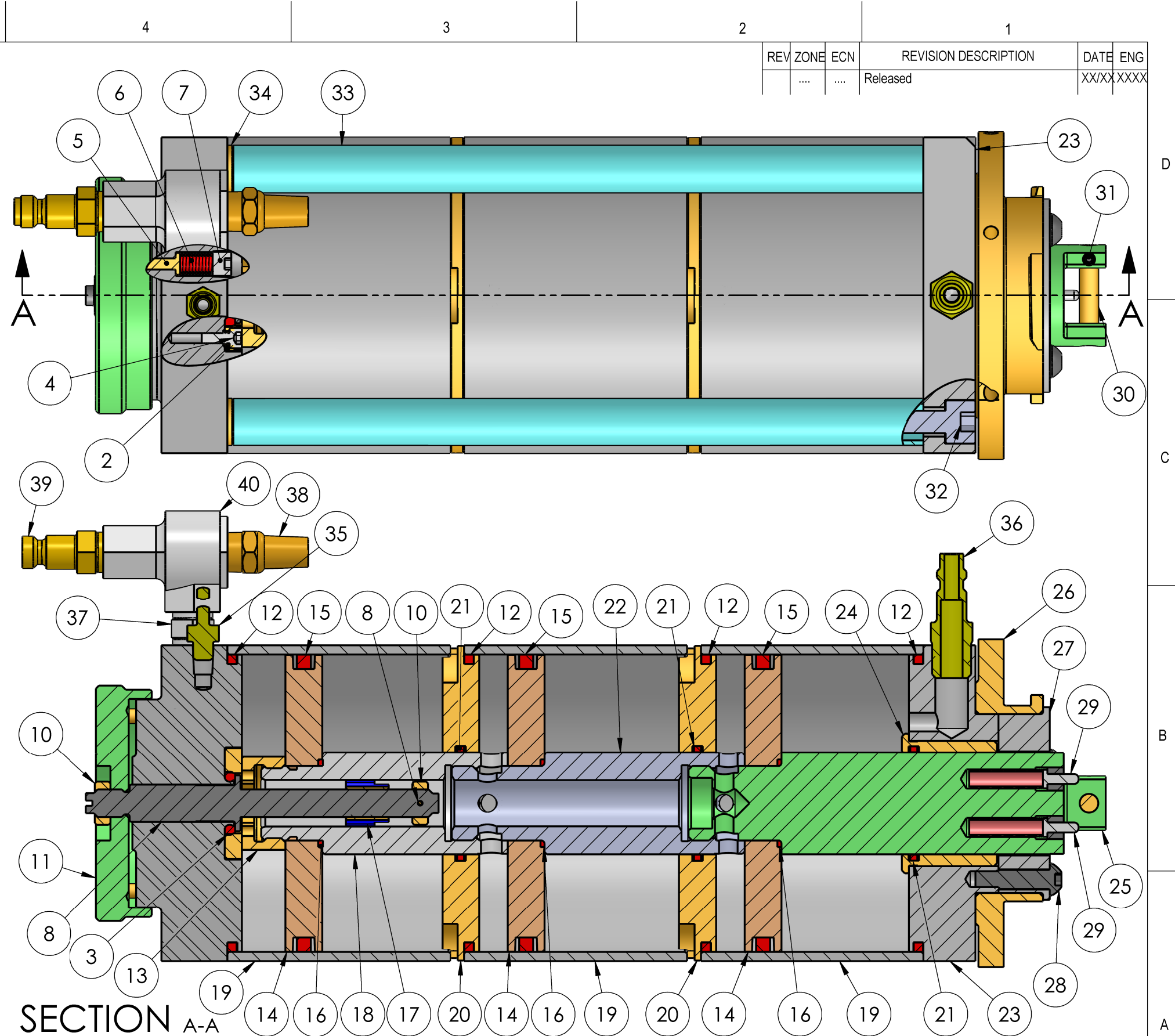


ITEM NO.	PART NUMBER	DESCRIPTION	QTY.
1	160410	Cylinder End Plate (Poppet)	1
2	160412	O-Ring Retainer	1
3	160414	O-Ring: .824 OD x .546 ID x .139 W	1
4	160413	Screw: LHCS, #8-32 x .375	3
5	141363	Plunger- Adj. Knob	3
6	141364	Spring: Compression, .300 OD x .813	3
7	140305	Screw: SPP, 1/8-27 PTF x .250	3
8	160411	Adjusting Screw (Poppet)	1
9	160140	Pin: Spring, .063 dia x .438	1
10	141375	Stop Nut	2
11	141362	Adjusting Knob	1
12	160023	O-Ring: 4.00 OD x 3.75 ID x .125 W	4
13	141354	Retainer Nut	1
14	160010	Piston	3
15	160021	O-Ring: 4.00 OD x 3.60 ID x .188 W	3
16	141390	O-Ring: 1.00 OD x 0.88 ID x 0.063 W	3
17	140263	Adjusting Screw Nut	1
18	160013	Cylinder Rear Shaft	1
19	160011	Cylinder	3
20	160016	Baffle Plate	2
21	141360	O-Ring: 1.56 OD x 1.38 ID x 0.094 W	3
22	163001	Intermediate Cylinder Shaft	1
23	160009	Cylinder Front Plate	1
24	160015	Front Plate Bushing	1
25	160012	Cylinder Front Shaft	1
26	160415	Quick Release Lock Ring	1
27	160418	Quick Release Retainer Plate	1
28	160419	Screw: BHCS, 1/4-28 x 1.00	3
29	160070	Plunger and Collar Assembly	2
30	141358	Wedge Adapter Pin	1
31	141368	Screw: SSS, #8-32 x .250 Cup Pt.	1
32	163002	Cylinder Screw for 163910QR (Triple)	4
33	163003	Cover Tube for 163910QR (Triple)	4
34	160020	Cover Tube Washer	4
35	141370	Quick Disconnect Plug	1
36	141372	Quick Disconnect Plug	1
37	141705	Close Nipple	1
38	141704	Muffler	1
39	141369	Quick Disconnect Plug	1
40	134069	Valve: Quick Exhaust	1



\*\*\*TOOLS (NOT SHOWN)  
 QTY - Part # - Description  
 1 - 162017 - Spanner Wrench

THIS DRAWING IS THE CONFIDENTIAL AND EXCLUSIVE PROPERTY OF C.J. WINTER MACHINE TECHNOLOGIES, INC. AND MAY NOT BE COPIED, REPRODUCED, OR DISCLOSED IN ANY WAY, WHATSOEVER TO ANYONE WITHOUT THE EXPRESS WRITTEN PERMISSION OF C.J. WINTER MACHINE TECHNOLOGIES, INC. UNLAWFUL DISCLOSURE MAY RESULT IN PROSECUTION © 2004 C.J. WINTER MACHINE TECHNOLOGIES, INC.	UNLESS OTHERWISE SPECIFIED: DRAWING MUST COMPLY TO C. J. WINTER ENGINEERING STANDARD E1058 & ASME Y14.5M 1994. UNTOLERANCED DIMENSIONS ARE BASIC .020 A B C SW	DRAWN BY: D. Baxter DWG DATE: 09/08/21 ENG. APPR: APPR DATE: MATERIAL: HEAT TRT:	 <b>C. J. WINTER</b> MACHINE TECHNOLOGIES, INC.	DWG SIZE: SCALE: 2:3 <b>B</b> Sheet1
163910QR Triple Power Pack Assembly Poppet Style, 8/96-Present				DRAWING NO. 163910QR