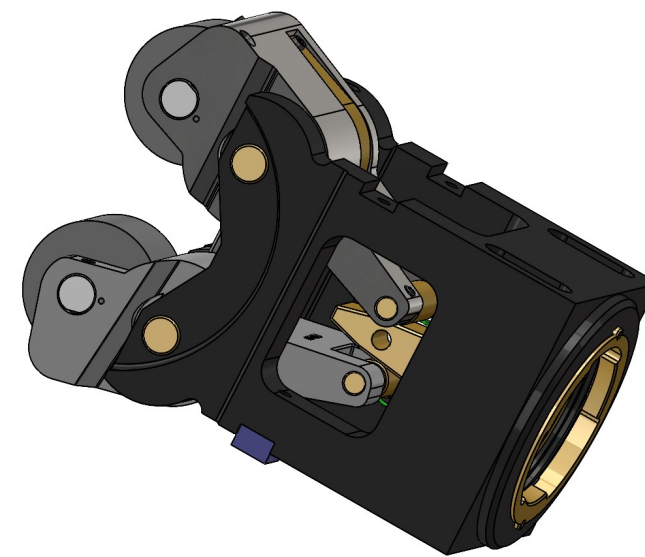
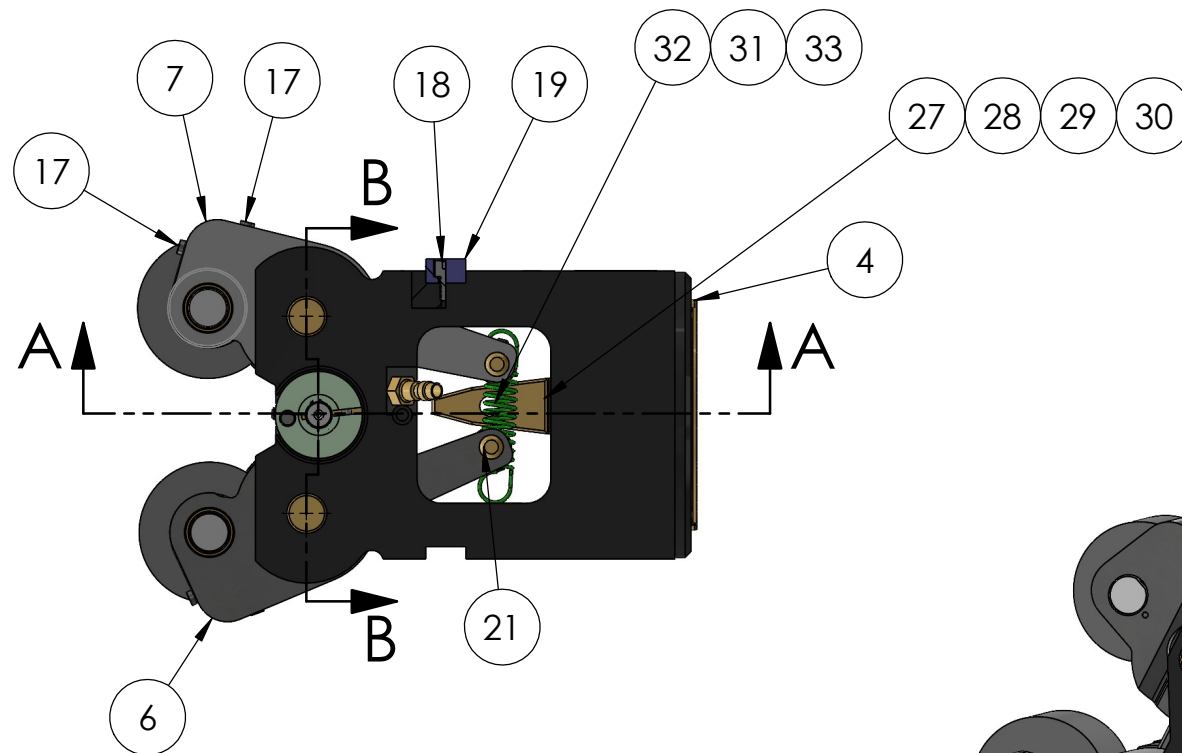
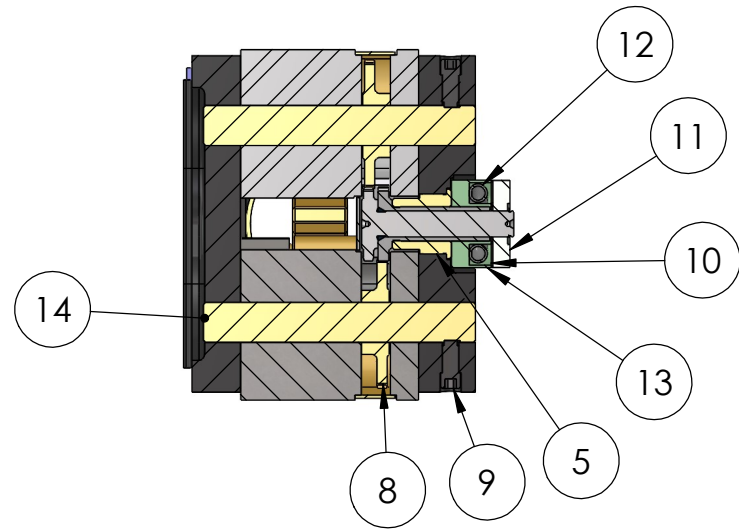
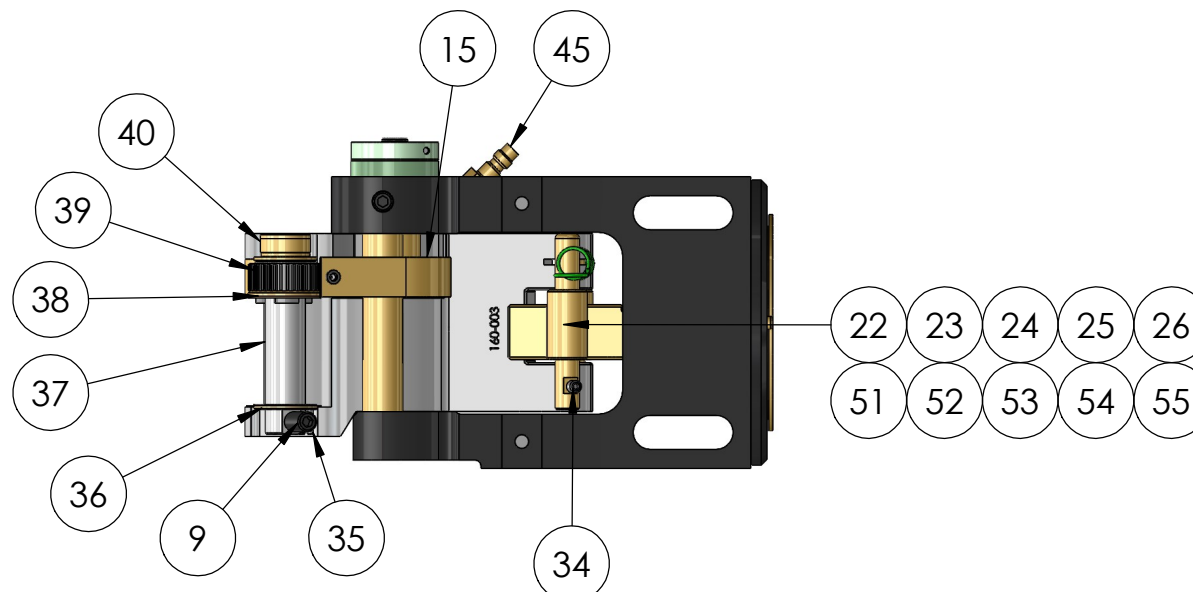
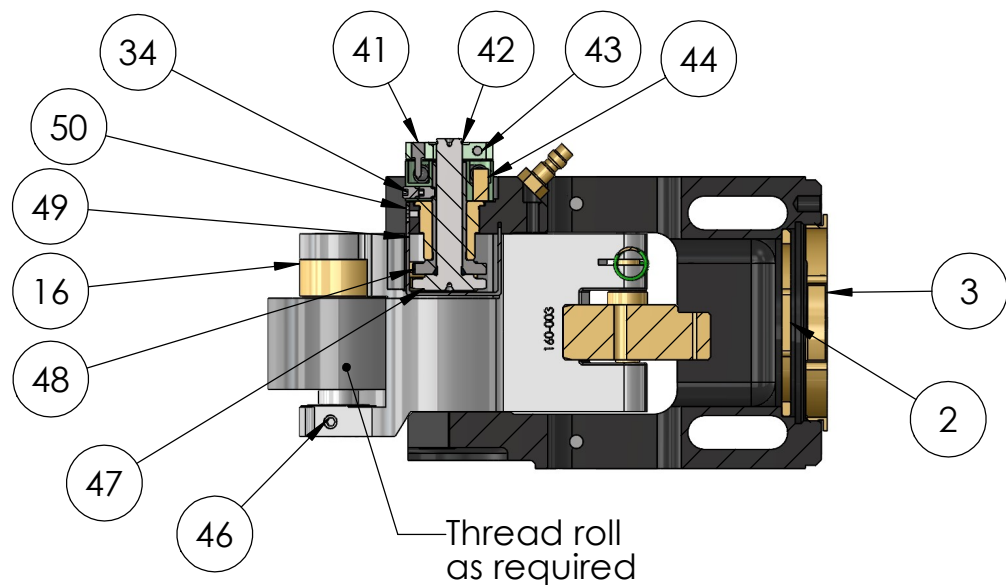


REV	ZONE	ECN	REVISION DESCRIPTION	DATE	ENG
F	...	...	Redrawn in SolidWorks	2/22	NA

### SECTION B-B



### SECTION A-A



View shown without L.H roll arm

THIS DRAWING IS THE CONFIDENTIAL AND EXCLUSIVE PROPERTY OF C.J. WINTER MACHINE TECHNOLOGIES, INC. AND MAY NOT BE COPIED, REPRODUCED, OR DISCLOSED IN ANY WAY, WHATSOEVER TO ANYONE WITHOUT THE EXPRESS WRITTEN PERMISSION OF C.J. WINTER MACHINE TECHNOLOGIES, INC. UNLAWFUL DISCLOSURE MAY RESULT IN PROSECUTION © 2004 C.J. WINTER MACHINE TECHNOLOGIES, INC.

UNLESS OTHERWISE SPECIFIED: DRAWING MUST COMPLY TO C. J. WINTER ENGINEERING STANDARD E1058 & ASME Y14.5M 1994. UNTOLERANCED DIMENSIONS ARE BASIC  
 .020 A B C SW

DRAWN BY: N. Alborno  
 DWG DATE: 2/8/22  
 ENG. APPR: P. Allart  
 APPR DATE: 2/8/22  
 MATERIAL:  
 HEAT TRT:



**C. J. WINTER**  
 MACHINE TECHNOLOGIES, INC.

DWG SIZE SCALE: 1:3  
**B** Sheet1

160912: Bracket Assembly

DRAWING NO. 161SA

6				5				4				3				2				1			
ITEM NO.	PART NO.	DESCRIPTION	QTY.	ITEM NO.	PART NO.	DESCRIPTION	QTY.	ITEM NO.	PART NO.	DESCRIPTION	QTY.	ITEM NO.	PART NO.	DESCRIPTION	QTY.	ITEM NO.	PART NO.	DESCRIPTION	QTY.				
1	160001QR	Quick Release Roll Arm Bracket (SA)	1	31	160034	Roll Arm Spring, Red	1																
2	160417	Quick Release Washer	1	32	160035	Roll Arm Spring, Green	1																
3	160416	Quick Release Adapter	1	33	160130	Roll Arm Spring, Yellow	1																
4	838-19	Pin: Spring, .188 Dia x .500	2	34	160054	Screw: SSS, #10-32 x 0.250 Half Dog Pt.	4																
5	160048	Compensator Bushing	1	35	160099	Pin: Dowel, .094 dia. x .438	2																
6	160002	L.H. Roll Arm	1	36	160098	Roll Arm Thrust Washer	2																
7	160003	R.H. Roll Arm	1	37	160044	Carbide Roll Pin	2																
8	160005	Idler Gear	2	38	160043	Roll Gear Washer	2																
9	160103	Screw: SSS, 5/16-18 x .750 Half Dog Pt.	4	39	160006	Roll Gear	2																
10	160102	Cover Plate	1	40	160097	Roll Arm Thrust Bushing	2																
11	160092	Adjusting Collar	1	41	160052	Adjusting Collar Pin	1																
12	160051	Compensator Spring	2	42	160108	Retainer Ring, Bowed: .394 Dia	1																
13	160050	Spring Retainer	1	43	141379	Screw: SHCS, #6-32 x .500	1																
14	160145	Fulcrum Pin (New Style)	2	44	160053	Pin: Dowel, .250 Dia. x .500	1																
15	160046	Idler Gear Guard	2	45	125070	Quick Disconnect Plug	1																
16	160045	Roll Gear Guard	2	46	140280	Screw: SSS, 1/4-28 x .250 Half Dog	2																
17	140207	Screw: SHCS, #6-32 x .250	4	47	160093	Internal Gear	1																
18	140204	Screw: SHCS, 1/4-28 x .375	2	48	160004	External Gear	1																
19	160039	Key	2	49	160085	Center Gear Guard	1																
20	160040	Stepped Key (.750)	2	50	160086	Screw: FHSS, #6-32 x .188	1																
21	160091	Wedge Roller Pin	2	51	160402	Wedge Roller (.688 Dia.)	2																
22	160025	Wedge Roller (.625 Dia)	2	52	160403	Wedge Roller (.813 dia.)	2																
23	160026	Wedge Roller (.750 Dia)	2	53	160405	Wedge Roller (.938 dia.)	2																
24	160027	Wedge Roller (.875 Dia)	2	54	160406	Wedge Roller (1.156 Dia.)	2																
25	160028	Wedge Roller (1.000 Dia)	2	55	160007	Wedge Roller (1.075 Dia)	2																
26	160029	Wedge Roller (1.312 Dia)	2																				
27	160030	Wedge, Narrow	1																				
28	160031	Wedge, Medium	1																				
29	160032	Wedge, Large	1																				
30	160033	Wedge, Ex-Large	1																				

REV	ZONE	ECN	REVISION DESCRIPTION	DATE	ENG
F	....	....	Redrawn in Solidworks	2/22	NA

**161SA**  
**Components**  
**160912: Bracket Assembly- shown here**  
**161100QR: Power Pack Assembly- not shown**  
**141600: Control Valve Assembly-not shown**  
Serial No. Range  
**161013-Current**

THIS DRAWING IS THE CONFIDENTIAL AND EXCLUSIVE PROPERTY OF C.J. WINTER MACHINE TECHNOLOGIES, INC. AND MAY NOT BE COPIED, REPRODUCED, OR DISCLOSED IN ANY WAY, WHATSOEVER TO ANYONE WITHOUT THE EXPRESS WRITTEN PERMISSION OF C.J. WINTER MACHINE TECHNOLOGIES, INC. UNLAWFUL DISCLOSURE MAY RESULT IN PROSECUTION © 2004 C.J. WINTER MACHINE TECHNOLOGIES, INC.

UNLESS OTHERWISE SPECIFIED: DRAWING MUST COMPLY TO C. J. WINTER ENGINEERING STANDARD E1058 & ASME Y14.5M 1994. UNTOLERANCED DIMENSIONS ARE BASIC

DRAWN BY: N. Allbornoz  
 DWG DATE: 2/8/22  
 ENG. APPR: P. Allart  
 APPR DATE: 2/8/22  
 MATERIAL:  
 HEAT TRT:



160912: Bracket Assmebly

DWG SIZE: SCALE: 1:3  
**B**  
 Sheet2  
 DRAWING NO.  
**161SA**

D

D

C

C

B

B

A

A

6

5

4

3

2

1