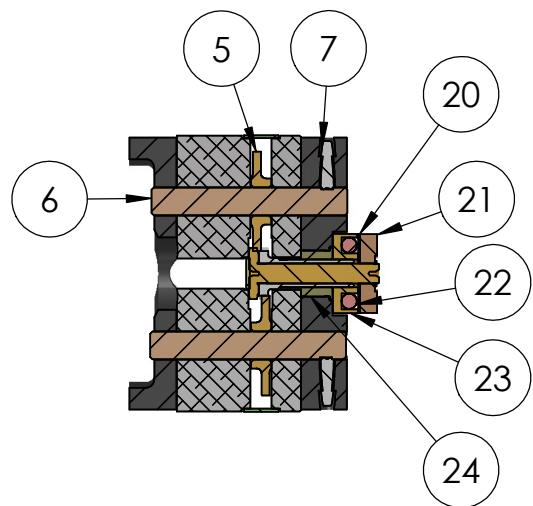
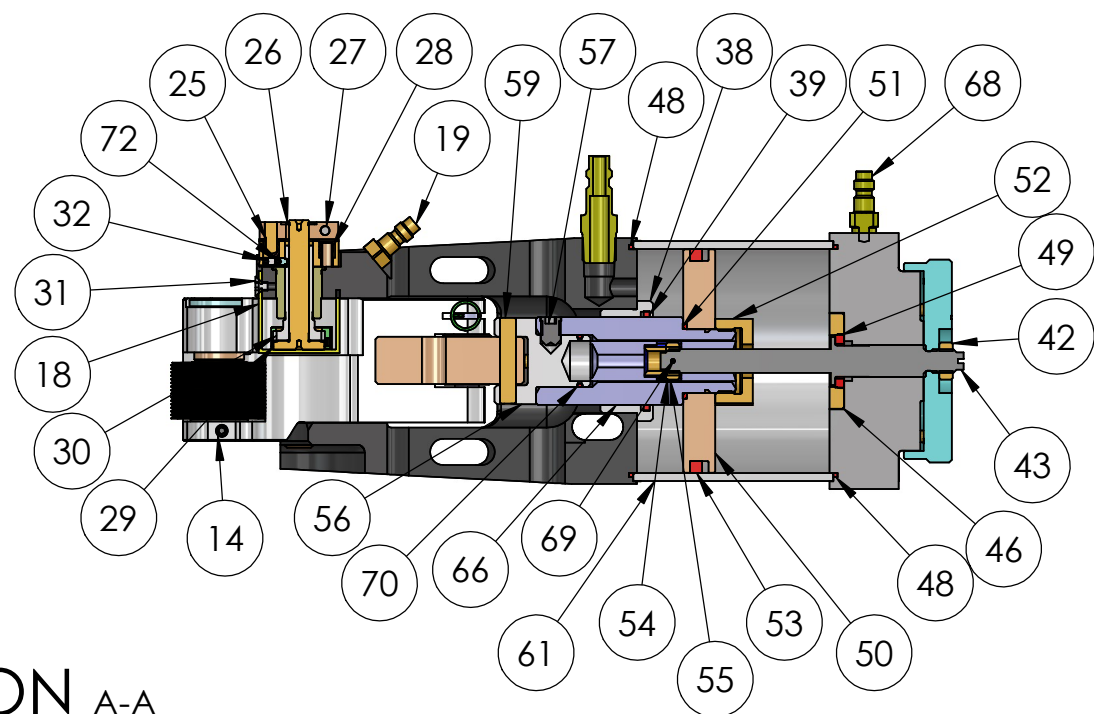
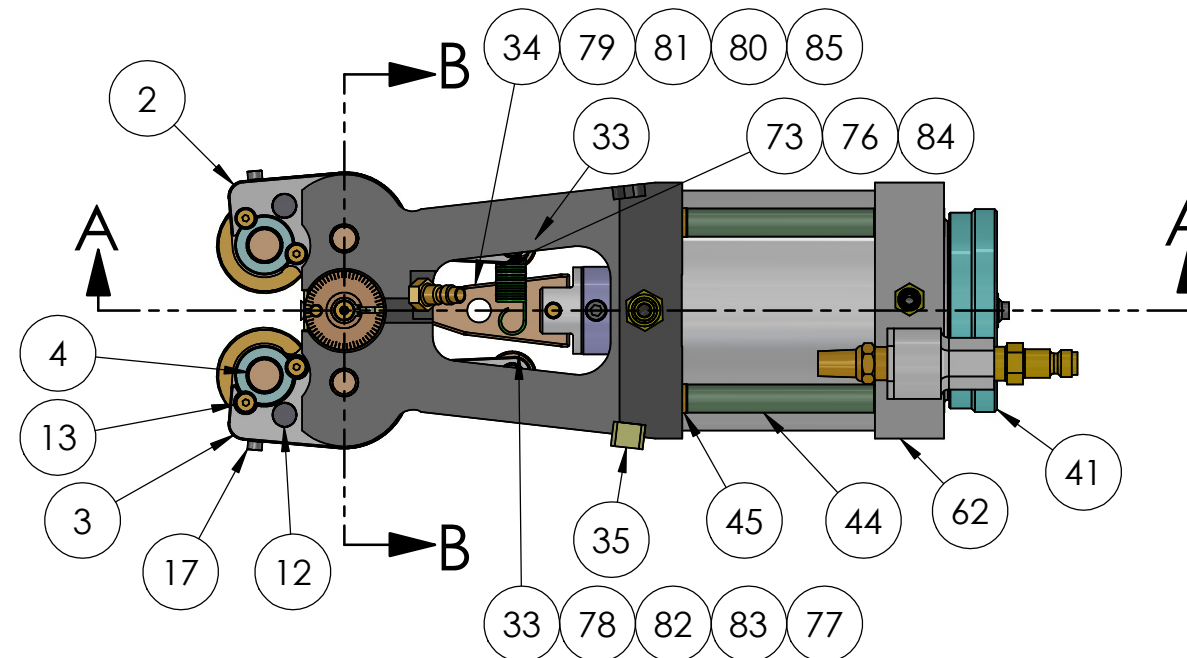


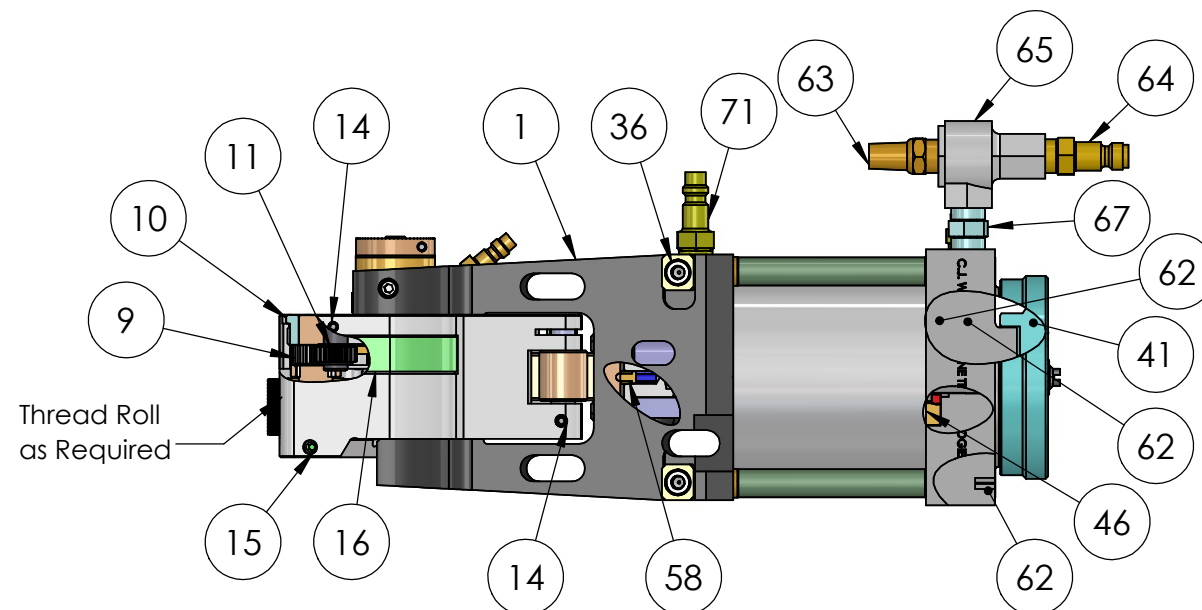
REV	ZONE	ECN	REVISION DESCRIPTION	DATE	ENG
G	Redrawn in Solidworks	09/21	DB



SECTION B-B



SECTION A-A



THIS DRAWING IS THE CONFIDENTIAL AND EXCLUSIVE PROPERTY OF C.J. WINTER MACHINE TECHNOLOGIES, INC. AND MAY NOT BE COPIED, REPRODUCED, OR DISCLOSED IN ANY WAY, WHATSOEVER TO ANYONE WITHOUT THE EXPRESS WRITTEN PERMISSION OF C.J. WINTER MACHINE TECHNOLOGIES, INC. UNLAWFUL DISCLOSURE MAY RESULT IN PROSECUTION © 2004 C.J. WINTER MACHINE TECHNOLOGIES, INC.

UNLESS OTHERWISE SPECIFIED: DRAWING MUST COMPLY TO C. J. WINTER ENGINEERING STANDARD E1058 & ASME Y14.5M 1994. UNTOLERANCED DIMENSIONS ARE BASIC
 .020 A B C SW

DRAWN BY: D. Baxter
 DWG DATE: 09/14/21
 ENG. APPR:
 APPR DATE:
 MATERIAL:
 HEAT TRT:



C. J. WINTER
 MACHINE TECHNOLOGIES, INC.

151SA Assembly

DWG SIZE SCALE: 1:3
B Sheet1
 DRAWING NO.
151SA

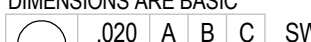
6				5				4				3				2				1					
ITEM NO.	PART NO.	DESCRIPTION	QTY.	ITEM NO.	PART NO.	DESCRIPTION	QTY.	ITEM NO.	PART NO.	DESCRIPTION	QTY.	ITEM NO.	PART NO.	DESCRIPTION	QTY.	ITEM NO.	PART NO.	DESCRIPTION	QTY.	REV	ZONE	ECN	REVISION DESCRIPTION	DATE	ENG
1	141200	Roll Arm Bracket	1	41	141362	Adjusting Knob	1													G	Redrawn in Solidworks	9/21	DB
2	151001	R. H. Roll Arm	1	42	141375	Stop Nut	1																		
3	151002	L. H. Roll Arm	1	43	160411	Adjusting Screw (Poppet)	1																		
4	141273	Carbide Roll Pin	2	44	141374	Cylinder End Plate (Poppet)	4																		
5	140234	Idler Gear	2	45	141373	Cover Tube Washer	4																		
6	140202	Fulcrum Pin	2	46	160412	O-Ring Retainer	1																		
7	140294	SSS 1/4-28 x .750	2	47	160413	Screw: LHCS, #8-32 x .375	3																		
8	140229	Wedge Roller Pin	2	48	140257	O-Ring: 3.63 OD x 3.50 ID x .063 W	2																		
9	141394	Roll Gear w/ Heavy Duty Tang	2	49	160414	O-Ring: .824 OD x .546 ID x .139 W	1																		
10	151007	Roll Arm Thrust Bushing	2	50	141351	Piston	1																		
11	151003	Intermediate Idler Gear	2	51	141390	O-Ring: 1.00 OD x 0.88 ID x 0.063 W	1																		
12	151004	Intermediate Idler Gear Pin	2	52	141354	Retainer Nut	1																		
13	151008	Screw: LHCS, #10-32 x .375	4	53	140256	O-Ring: 3.50 OD x 3.13 ID x .188 W	1																		
14	160054	Screw: SSS, #10-32 x .250 Half Dog Pt.	6	54	140263	Adjusting Screw Nut	1																		
15	141367	Screw: SSS, #10-32 x .50 Half Dog Pt. w/Nylon	2	55	141375	Stop Nut (.063 hole)	1																		
16	151009	Idler Gear Guard	2	56	141357	Wedge Adapter	1																		
17	140207	Screw: SHCS, #6-32 x .250	2	57	140231	Screw: SSS, 5/16-18 x .438 Cup Pt.	1																		
18	140214	Compensator Center Guard	1	58	141377	Plunger Assembly	2																		
19	125070	Quick Disconnect Plug	1	59	141358	Wedge Adapter Pin	1																		
20	141378	Cover Plate	1	60	141368	Screw: SSS, #8-32 x .250 Cup Pt.	1																		
21	141383	Adjusting Collar	1	61	141353	Cylinder	1																		
22	140281	Compensator Spring	2	62	141511	Cylinder End Plate, (Poppet)	1																		
23	140216	Spring Retainer	1	63	141704	Muffler	1																		
24	141388	Compensator Bushing	1	64	141369	Quick Disconnect Plug	1																		
25	140282	Adjusting Collar Pin	1	65	134069	Valve: Quick Exhaust	1																		
26	141380	Compensator Retaining Ring 5/16 Dia.	1	66	141352	Cylinder Shaft	1																		
27	141379	Screw: SHCS, #6-32 x .500	1	67	141705	Close Nipple	1																		
28	140285	Pin Spring .188 Dia x .375	1	68	141370	Quick Disconnect Plug	1																		
29	141382	Internal Gear	1	69	160140	Pin: Spring, .063 dia x .438	1																		
30	141389	External Gear	1	70	141359	O-Ring:L .81 OD x .69 ID x .063 W	1																		
31	160086	Screw: FHSS, #6-32 x .188	1	71	141372	Quick Disconnect Plug	1																		
32	125169	Screw: SSS, #4-40 x .125 Flat Pt	1	72	125018	Screw: SSS, #4-40 x 0.175 HLF Dog Backer	1																		
33	140220	Wedge Roller (.750 Dia)	2	73	140222	Roll Arm Spring	1																		
34	140236	Wedge, Medium	1	74	141363	Plunger- Adj. Knob	3																		
35	140203	Key	2	75	141364	Spring: Compression, .300 OD x .813	3																		
36	140204	Screw: SHCS, 1/4-28 x .375	2																						
37	140305	Screw: SPP, 1/8-27 PTF x .250	3																						
38	141355	Cylinder Shaft Bushing	1																						
39	141360	O-Ring: 1.56 OD x 1.38 ID x 0.094 W	1																						
40	141366	Cylinder Screw	4																						

ITEM NO.	PART NO.	DESCRIPTION	QTY.
76	140208	Roll Arm Spring-Short (Red)	1
77	140219	Wedge Roller (.625 Dia.)	1
78	140221	Wedge Roller (.875 Dia.)	1
79	140235	Wedge, Narrow	1
80	140237	Wedge, Large	1
81	140238	Wedge, Ex-Large	1
82	140378	Wedge Roller (.688 Dia)	1
83	140379	Wedge Roller (.813 Dia.)	1
84	141391	Roll Arm Spring-Medium (Yellow)	1
85	151006	Wedge, Auxiliary	1

Components
151925: Attachment Assembly-shown here
141600: Control Valve Assembly-not shown

Serial No. Range
151804-Current

THIS DRAWING IS THE CONFIDENTIAL AND EXCLUSIVE PROPERTY OF C.J. WINTER MACHINE TECHNOLOGIES, INC. AND MAY NOT BE COPIED, REPRODUCED, OR DISCLOSED IN ANY WAY, WHATSOEVER, TO ANYONE WITHOUT THE EXPRESS WRITTEN PERMISSION OF C.J. WINTER MACHINE TECHNOLOGIES, INC. UNLAWFUL DISCLOSURE MAY RESULT IN PROSECUTION © 2004 C.J. WINTER MACHINE TECHNOLOGIES, INC.

UNLESS OTHERWISE SPECIFIED: DRAWING MUST COMPLY TO C. J. WINTER ENGINEERING STANDARD E1058 & ASME Y14.5M 1994. UNTOLERANCED DIMENSIONS ARE BASIC


DRAWN BY: D. Baxter
 DWG DATE: 09/14/21
 ENG. APPR:
 APPR DATE:
 MATERIAL:
 HEAT TRT:



C. J. WINTER
 MACHINE TECHNOLOGIES, INC.

DWG SIZE SCALE: 1:3
B
 BOM
 DRAWING NO.
151SA

D

D

C

C

B

B

A

A