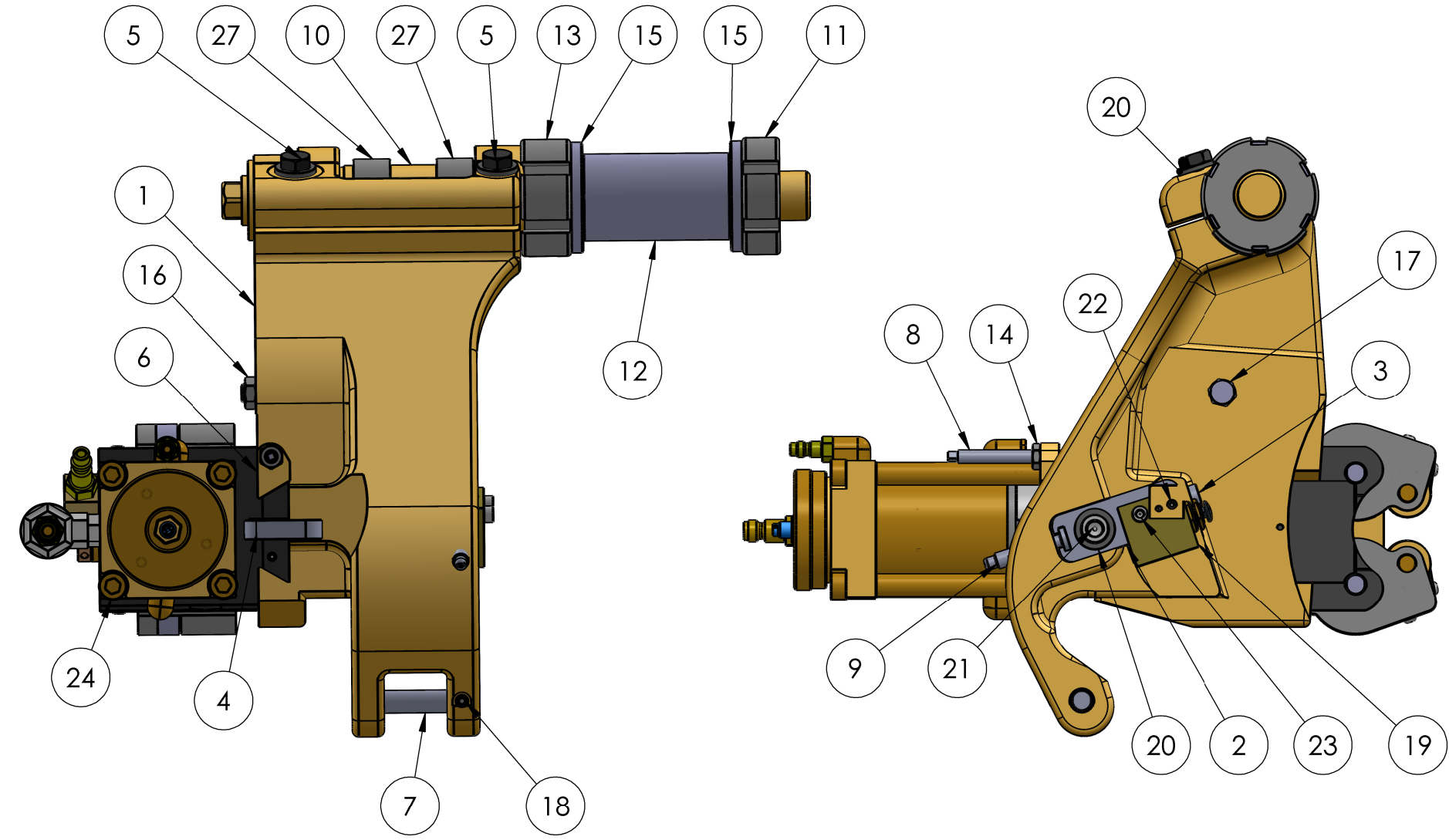


ITEM NO.	PART NO.	DESCRIPTION	QTY.
1	134201	134 3rd Position Swing Arm	1
2	134202	Trip Bracket	1
3	134203	Button	1
4	134204	134 3rd Position Dead Stop Locator	1
5	134205	Bolt: Hex, 3/8-16 x 1.50, Grade 8	2
6	134206	134 3rd Position Swing Arm Gib	1
7	134207	Cam Shaft Pin	1
8	134208	Gib Rod	1
9	134209	Adjusting Screw	1
10	134210N	Tool Arm Shaft- NB Eccentric	1
11	134212	Thin Tool Arm Nut	1
12	134211	TOOL ARM BUSHING	1
13	134213	Thick Tool Arm Nut	1
14	134214	Nut: Lock, 1/4-20 x .150	1
15	134215	SPACER	2
16	134216	Nut: Jam 3/8-24	1
17	134046	Stop Bolt 3/8-24 x 1-1/4"	1
18	130023	Screw: SSS, 1/4-20 x .375 Cup Pt.	1
19	125404	Control Valve (3 way)	1
20	140212	Washer: Flat, .375 dia (3/8") Grade 8	3
21	140311	SHCS, 3/8-16 x 1.000	1
22	140287	Screw: SSS, #10-32 x .250 Cup Pt.	1
23	141427	Screw: SHCS, #10-32 x 1.000	2
24	134925	134SA attachment	1
25	134218	Connector Link	1
26	134224	Connector Link Extended Bed	1
27	13-167	Needle-Roller Bearing	2

REV	ZONE	ECN	REVISION DESCRIPTION	DATE	ENG
B	...	...	Redrawn in Solidworks	3/22	NA



Connecting Link for  
3rd Position Supplied  
By Davenport (5080-65-5)  
Std Block: 5080-182

Note: Not shown parts 134218 and 134224  
-4th position connecting links

**Serial No. Range**  
**134130-Current**

<small>THIS DRAWING IS THE CONFIDENTIAL AND EXCLUSIVE PROPERTY OF C.J. WINTER MACHINE TECHNOLOGIES, INC. AND MAY NOT BE COPIED, REPRODUCED, OR DISCLOSED IN ANY WAY, WHATSOEVER TO ANYONE WITHOUT THE EXPRESS WRITTEN PERMISSION OF C.J. WINTER MACHINE TECHNOLOGIES, INC. UNLAWFUL DISCLOSURE MAY RESULT IN PROSECUTION © 2004 C.J. WINTER MACHINE TECHNOLOGIES, INC.</small>	<small>UNLESS OTHERWISE SPECIFIED: DRAWING MUST COMPLY TO C. J. WINTER ENGINEERING STANDARD E1058 &amp; ASME Y14.5M 1994. UNTOLERANCED DIMENSIONS ARE BASIC</small>	<small>DRAWN BY:</small> <small>DWG DATE:</small>		<small>DWG SIZE</small> <b>B</b>	<small>SCALE: 1:3</small> <small>Sheet1</small>
		<small>ENG. APPR:</small> <small>APPR DATE:</small>		<small>DRAWING NO.</small> <b>134975N</b>	
<small>MATERIAL:</small> <small>HEAT TRT:</small>			<b>Davenport 3rd Position</b>		