

6

5

4

3

2

1

REV	ZONE	ECN	REVISION DESCRIPTION	DATE	ENG
	---	---	Released	XXXX	XXXX

D

D

C

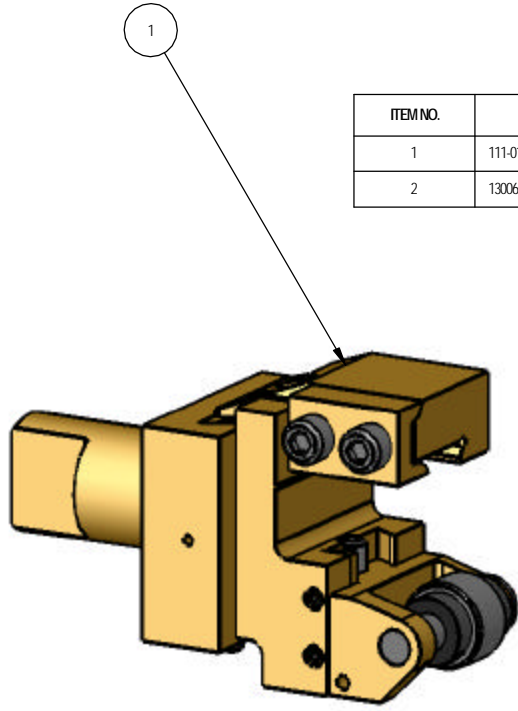
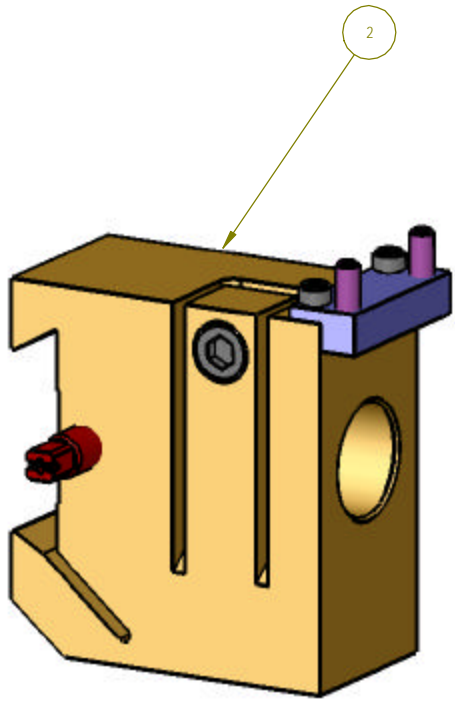
C

B

B

A

A



ITEM NO.	PART NUMBER	DESCRIPTION	QTY.
1	111-01	Shave Tool Assembly	1
2	130063	Adapter Block for 108 Shave for 4th Position	1

THIS DRAWING IS THE CONFIDENTIAL AND EXCLUSIVE PROPERTY OF C.J. WINTER MACHINE TECHNOLOGIES, INC. AND MAY NOT BE COPIED, REPRODUCED, OR DISCLOSED IN ANY WAY, WHATSOEVER, TO ANYONE WITHOUT THE EXPRESS WRITTEN PERMISSION OF C.J. WINTER MACHINE TECHNOLOGIES, INC. UNLAWFUL DISCLOSURE MAY RESULT IN PROSECUTION.
 © 2014 C.J. WINTER MACHINE TECHNOLOGIES, INC.

UNLESS OTHERWISE SPECIFIED, DRAWING MUST COMPLY TO C.J. WINTER ENGINEERING STANDARD E1058 & ASME Y14.5M 1994. UNTOLERANCED DIMENSIONS ARE BASIC.
 ⌀ 0.020 A B C SW

DRAWN BY: E. Pacavar
 DWG DATE: 12/17/04
 ENG. APPR:
 APPR DATE:
 MATERIAL:
 HEAT TRT:



Shave Tool Assembly and 4th Position Block

DWG SIZE: B
 SCALE: 1:1
 SHEET 1 OF 1
 DRAWING NO. 111-16-CJW

6

5

4

3

2

1